

# Product data sheet

Specifications



## expansion module, Modicon MCM, 16 inputs, spring

XPSMCMDI1600G

**Product availability: Non-Stock - Not normally stocked in distribution facility**

**Price\*: 492.00 USD**

### Main

Range Of Product	Preventa Safety automation
Product Or Component Type	Safe input expansion module
Device Short Name	XPSMCM
Electrical Connection	Spring terminal
[Us] Rated Supply Voltage	24 V - 20...20 % DC
Number Of Inputs	16 digital
Number Of Outputs	4 test line control
Discrete Input Type	Isolated
Discrete Output Type	PNP
Function Of Module	Monitoring safety detection discrete input Monitoring safety dialogue discrete input

### Complementary

Power Consumption In W	3 W
Power Dissipation In W	3 W
Integrated Connection Type	Backplane expansion bus
Number Of Terminal Blocks	6
Connections - Terminals	1 spring clamp terminals, removable terminal block 2 spring clamp terminals, removable terminal block
Safety Level	Can reach category 4 ISO 13849-1 Can reach PL = e ISO 13849-1 Can reach SIL 3 IEC 61508 SILCL 3 IEC 62061
Quality Labels	CE
Discrete Input Voltage	24 V DC
Local Signalling	1 LED green PWR power ON 1 LED green RUN RUN (status) 1 LED red E IN internal error 1 LED red E EX external error 2 LEDs orange ADDR node address 16 LEDs yellow IN input status
Cable Cross Section	0.00...0.00 in <sup>2</sup> (0.2...2.5 mm <sup>2</sup> ) - AWG 24...AWG 14 flexible without cable end 0.00...0.00 in <sup>2</sup> (0.25...2.5 mm <sup>2</sup> ) - AWG 23...AWG 14 flexible with cable end, with bezel 0.00...0.00 in <sup>2</sup> (0.25...2.5 mm <sup>2</sup> ) - AWG 23...AWG 14 flexible with cable end, without bezel 0.00...0.00 in <sup>2</sup> (0.2...2.5 mm <sup>2</sup> ) - AWG 24...AWG 14 solid without cable end 0.00...0.00 in <sup>2</sup> (0.5...1 mm <sup>2</sup> ) - AWG 20...AWG 18 flexible with cable end, with double bezel

Price is "List Price" and may be subject to a trade discount – check with your local distributor or retailer for actual price.

<b>Mounting Support</b>	Omega 35 mm DIN rail EN 50022
<b>Depth</b>	0.89 in (22.5 mm)
<b>Height</b>	3.90 in (99 mm)
<b>Width</b>	4.51 in (114.5 mm)
<b>Net Weight</b>	0.55 lb(US) (0.25 kg)

## Environment

<b>Standards</b>	ISO 13849-1 IEC 62061 IEC 61508 IEC 61800-5-1
<b>Product Certifications</b>	RCM TÜV cULus
<b>Ip Degree Of Protection</b>	IP20 enclosure)
<b>Ambient Air Temperature For Operation</b>	14...131 °F (-10...55 °C)
<b>Ambient Air Temperature For Storage</b>	-4...185 °F (-20...85 °C)
<b>Relative Humidity</b>	10...95 %
<b>Pollution Degree</b>	2
<b>[Uimp] Rated Impulse Withstand Voltage</b>	4 kV IEC 61800-5-1
<b>Safety Reliability Data</b>	DC > 99 % MTTFd < 100 years high PFHd = 7.09E-9 1/h
<b>Insulation</b>	250 V AC between power supply and housing IEC 61800-5-1
<b>Overvoltage Category</b>	II
<b>Electromagnetic Compatibility</b>	Electrostatic discharge immunity test - test level: 6 kV (on contact) conforming to IEC 61000-4-2 Electrostatic discharge immunity test - test level: 20 kV (on air) conforming to IEC 61000-4-2 Susceptibility to electromagnetic fields - test level: 10 V/m (80...1000 MHz) conforming to IEC 61000-4-3 Susceptibility to electromagnetic fields - test level: 30 V/m (1.4 GHz...2 GHz) conforming to IEC 61000-4-3
<b>Vibration Resistance</b>	+/-0.35 mm 10...55 Hz)IEC 61496-1
<b>Shock Resistance</b>	10 gn 16 ms) 1000 shocks on each axis IEC 61496-1
<b>Service Life</b>	20 year(s)

## Ordering and shipping details

<b>Category</b>	US1SAF222477
<b>Discount Schedule</b>	SAF2
<b>Gtin</b>	3606480748615
<b>Returnability</b>	No
<b>Country Of Origin</b>	IT

## Packing Units

<b>Unit Type Of Package 1</b>	PCE
<b>Number Of Units In Package 1</b>	1
<b>Package 1 Height</b>	1.77 in (4.500 cm)

<b>Package 1 Width</b>	5.04 in (12.800 cm)
<b>Package 1 Length</b>	6.38 in (16.200 cm)
<b>Package 1 Weight</b>	8.54 oz (242.000 g)
<b>Unit Type Of Package 2</b>	S01
<b>Number Of Units In Package 2</b>	6
<b>Package 2 Height</b>	5.91 in (15.000 cm)
<b>Package 2 Width</b>	5.91 in (15.000 cm)
<b>Package 2 Length</b>	15.75 in (40.000 cm)
<b>Package 2 Weight</b>	3.81 lb(US) (1.730 kg)

## Sustainability

**Green Premium™ label** is Schneider Electric's commitment to delivering products with best-in-class environmental performance. Green Premium promises compliance with the latest regulations, transparency on environmental impacts, as well as circular and low-CO<sub>2</sub> products.

**Guide to assessing product sustainability** is a white paper that clarifies global eco-label standards and how to interpret environmental declarations.

[Learn more about Green Premium >](#)

[Guide to assess a product's sustainability >](#)



Transparency RoHS/REACH

## Well-being performance

Reach Free Of Svhc

Mercury Free

Rohs Exemption Information Yes

Pvc Free

## Certifications & Standards

**Reach Regulation**

[REACH Declaration](#)

**Eu Rohs Directive**

Pro-active compliance (Product out of EU RoHS legal scope)

**China Rohs Regulation**

[China RoHS declaration](#)

**Environmental Disclosure**

[Product Environmental Profile](#)

**Weee**

The product must be disposed on European Union markets following specific waste collection and never end up in rubbish bins.

**Circularity Profile**

[End of Life Information](#)

**California Proposition 65**

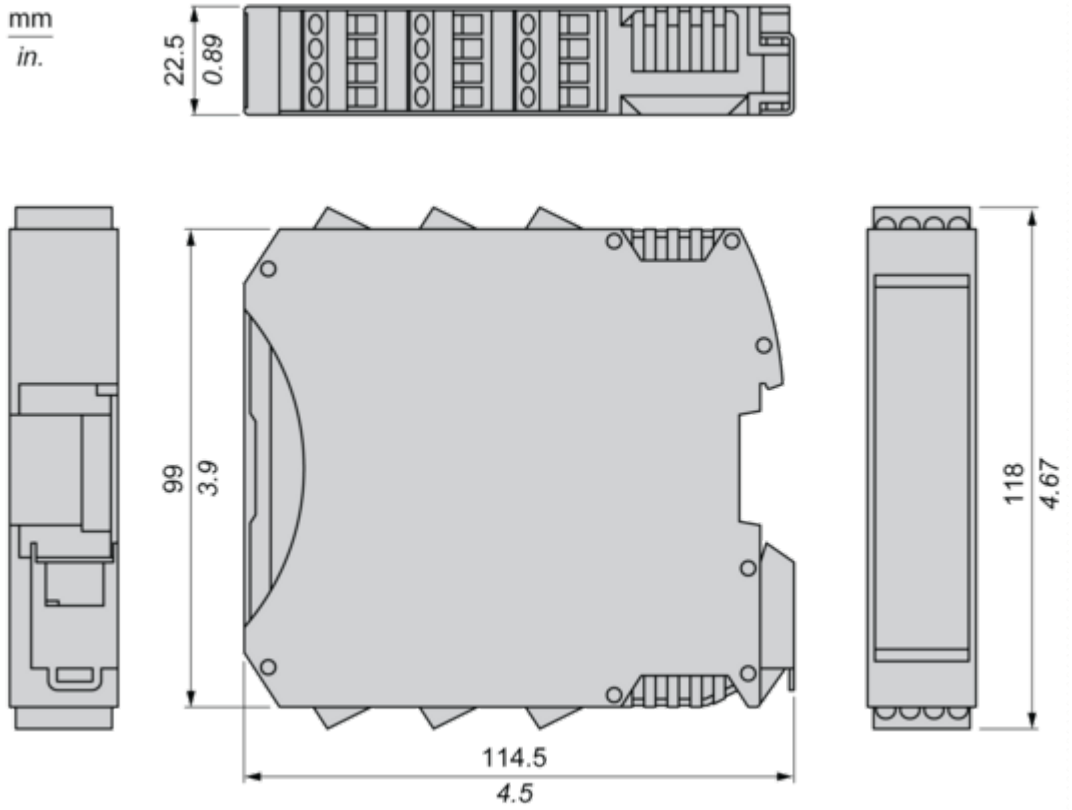
WARNING: This product can expose you to chemicals including: Lead and lead compounds, which is known to the State of California to cause cancer and birth defects or other reproductive harm. For more information go to [www.P65Warnings.ca.gov](http://www.P65Warnings.ca.gov)

Dimensions Drawings

Dimensions

---

Spring Terminal

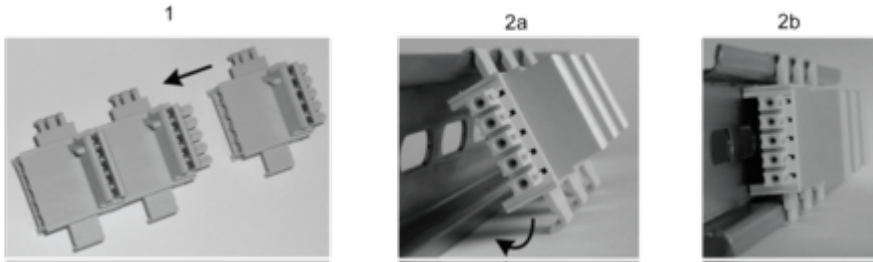


Mounting and Clearance

**Mounting Safety Controller CPU with Module(s)**

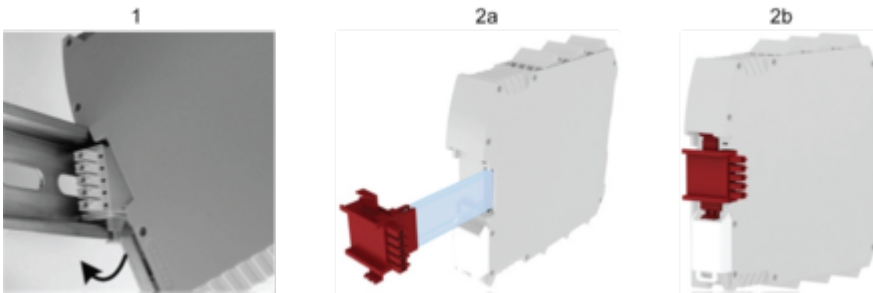
---

**Mount BackPlane Connector on Rail**



- 1 : Connect as much Backplane Connector as module to be install.
- 2 : Fix the connectors to the rail (Top first).

**Mount Safety Controller CPU with Other Module(s)**

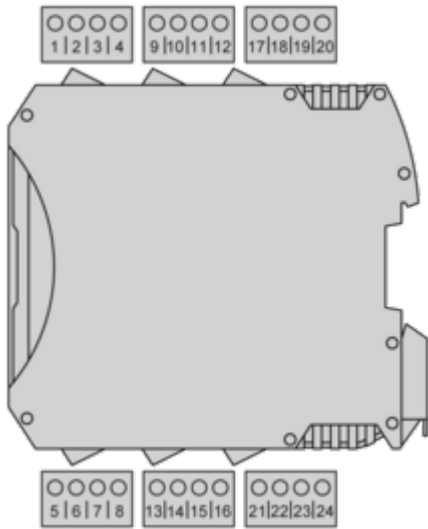


- 1 : Mount controller CPU and modules on rail.
- 2 : Make sure that the controller CPU or the module(s) are plugged on the BackPlane connector.

Connections and Schema

Wiring

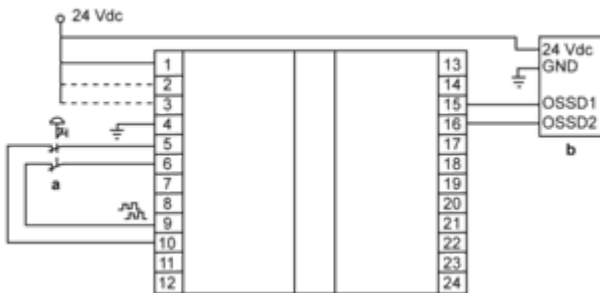
Terminal Designation



Terminal	Signal	Description
1	24 VDC	24 Vdc power supply
2	NODE_ADDR0	Node selection
3	NODE_ADDR1	
4	0 VDC	0 Vdc power supply
5	INPUT1	Digital input 1
6	INPUT2	Digital input 2
7	INPUT3	Digital input 3
8	INPUT4	Digital input 4
9	OUT_TEST1	Short circuit detected output
10	OUT_TEST2	
11	OUT_TEST3	
12	OUT_TEST4	
13	INPUT5	Digital input 5
14	INPUT6	Digital input 6
15	INPUT7	Digital input 7
16	INPUT8	Digital input 8

Terminal	Signal	Description
17	INPUT9	Digital input 9
18	INPUT10	Digital input 10
19	INPUT11	Digital input 11
20	INPUT12	Digital input 12
21	INPUT13	Digital input 13
22	INPUT14	Digital input 14
23	INPUT15	Digital input 15
24	INPUT16	Digital input 16

Wiring Example



- a : Emergency stop
- b : Light curtain